



Putsch®

Disk Slicing Machine 2200-24-400 for use with standard Königsfeld beet knives



The sturdy construction of the PUTSCH®-disk slicing machines has been proven over the past 30 years throughout the world even under the most difficult conditions.

The outstanding characteristics of this slicer are the long life time and low wear of the exchangeable parts of the cover disk, slicing disk and knife blocks which are exposed to the beets.

Technical details:

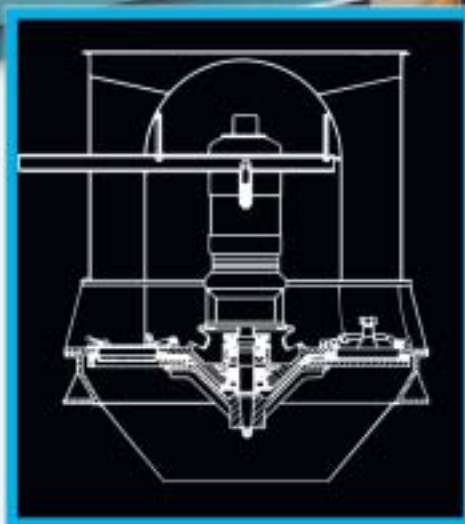
Slicing disk diameter Ø 2200 mm

24 knife blocks each with 2 beet knives of 200 mm

Cutting length 400 mm

Slicing capacity up to 3000 t/d

Thyristor controlled, speed dependent direct current drive (DC)



Putsch®

The cutting edge of Sugar Technology

H. Putsch GmbH & Comp. · Postfach 4221 · 58042 Hagen / Germany · ☎ 02331 / 399-0 · FAX 02331 / 31031 · E-mail: info@putsch.com
In the U. S. A.: H. Putsch & Company Inc. · P. O. Box 5128 · Asheville N.C. 28813 · ☎ (828) 684-0671 · FAX (828) 684-4894 · E-mail: putsch-avl@ioa.com
In Italia: Putsch Meniconi · Località Bellavista, Via Irlanda, 1 · 53036 Poggibonsi (Siena) · ☎ 0577 / 90311 · FAX 0577 / 979335 · E-mail: info@putschmeniconi.com
En España: Putsch Nerva S.A. · Calle Vázquez de Menchaca, 136 · 47008 Valladolid · ☎ 983 / 27 22 08-12-16 · FAX 983 / 272212 · E-mail: pnerva@putschnerva.com
Internet: <http://www.putsch.com>